

SF300

IP based Fingerprint Access Control & Time Attendance



The SF300 is an IP based fingerprint terminal works both in network and standalone modes. In network mode, it can connect with ZKAccess3.5 software for access control and time attendance management.

Wiegand output makes SF300 flexible to connect with ZK or any 3rd party controllers as a slave reader, additionally wiegand input allows two units of SF300 to configure with each other and utilize Master & Slave solution, which requires user verification at both entrance and exit. Meanwhile, anti-passback function could be used to maximize the security.

Auxiliary input interface allows SF300 to connect with an external source, for instance a smoke detector or emergency switch. Once the linkage function is enabled through the machine menu, the device would generate an alarm signal and open the door in case of emergency.

Feature

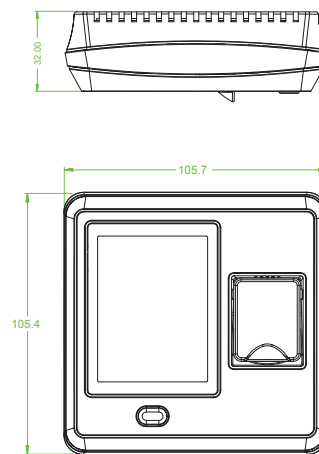
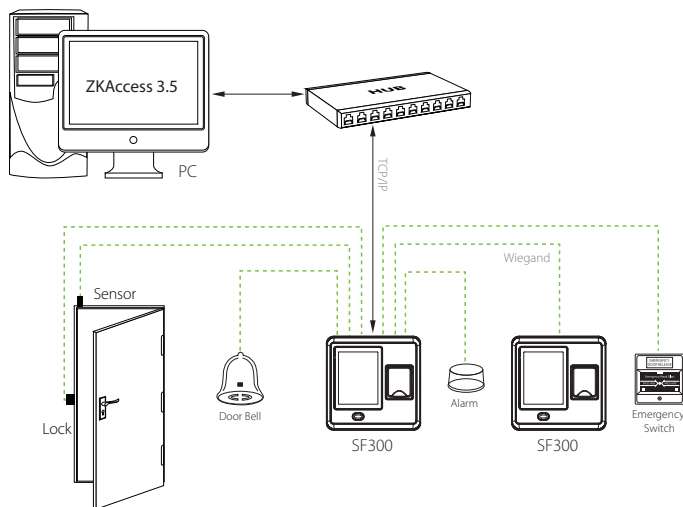
- 2.8-inch touch screen, color display with graphical UI for easy operation
- Up to 24 user-defined schedules that can activate on a daily bell alert (optional)
- Voice prompt for acceptance and rejection of valid/invalid fingers
- Compact and Lightweight, small size for 86 x 86mm socket installation
- TCP/IP or RS485 communication for various networking environments
- Supports USB flash drive for offline data management
- Built-in auxiliary input with enhanced flexibility to link with wired detector or emergency switch
- Up to 15 multi-verification methods to enhance security level
- Standard access control features such as Time zone, Holiday, A&C Group, Unlock combination etc.
- Duress Alarm offers effective protection against duress by threats
- Tamper proof switch and multiple alarm outputs
- Multi-language customizable

Specifications

| | |
|---------------------------------|---|
| Model | SF300 |
| LCD | 2.8 inch resistive touch screen |
| Fingerprint Sensor | ZK Optical Sensor (500DPI) |
| Algorithm Version | ZKFinger VX10.0 |
| Communication | TCP/IP, RS485, USB Host |
| Fingerprint Capacity | 1,500 |
| Card Capacity (Optional) | 5,000 (EM/Mifare) |
| Records Capacity | 80,000 |
| Access Control Interface | Electric lock, Door sensor, Alarm, Exit button, Door Bell |
| Wiegand Signal | Wiegand input & output |
| Aux. Input | 1ea for linkage function |
| Power Supply | DC 12V/3A |
| Operating Temperature | 0 ~ 45°C (32°~113°F) |
| Operating Humidity | 20 ~ 80% |
| Dimension(L x W x H) | 105 x 105 x 34mm |

Configuration

Dimensions (mm)



ZKTeco Inc.

ZK Mansion, Wuhe Rd, Gangtou, Bantian, Buji Town,
Longgang District, Shenzhen China 518129
Tel: 86-755-8960 2345/46/47/48
E-mail: sales@zkteco.com
www.zkteco.com

Global Offices:

USA: +1 732-412-6007
EU: +34 916532891
Brazil: +55 31 2515-8326
Thailand: +66-027199154
Mexico: +52-55-52928418

South Africa: +27 12 259 1047
Egypt: +201110444134
Dubai: +971 4 6091 310
India: +91 8123536788
Indonesia: +62 21 2921 8949

Vietnam: +84-0169-5813007
Philippines: +63 9084118832
Russia: +8 915 178-46-81